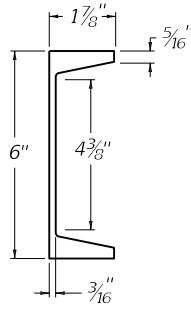


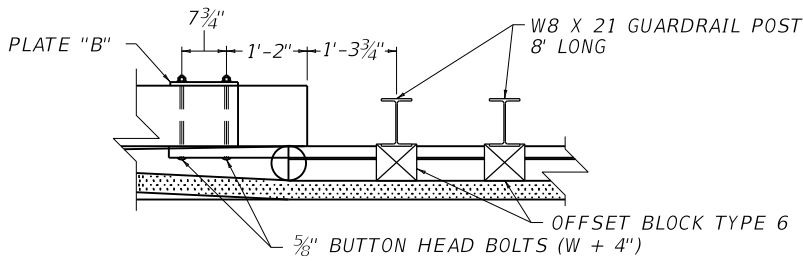
ELEVATION VIEW

PLAN VIEW

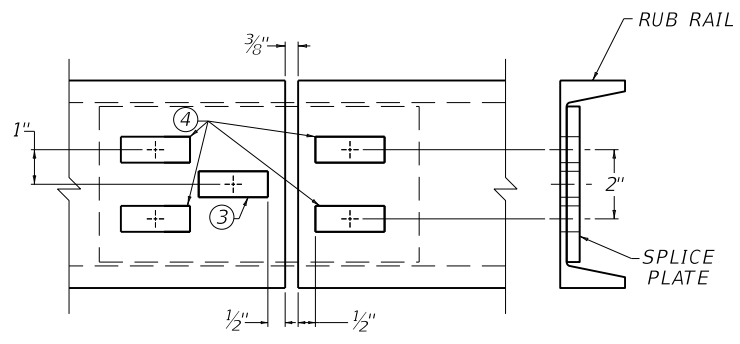
C6 X 8.2 RUB RAIL



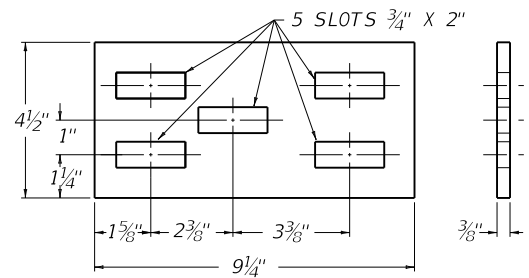
SECTION A-A



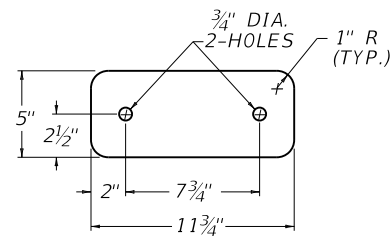
RUB RAIL ATTACHED TO CONCRETE PARAPET



RUB RAIL SPLICE (TYP.)



RUB RAIL SPLICE PLATE



5/8" STEEL PLATE "B"

~ NOTES ~

1. RUB RAIL IS DETAILED AS ONE CONTINUOUS PIECE, A SPLICE IS PERMITTED PROVIDING IT IS DONE AT A GUARDRAIL POST. SEE "RUB RAIL SPLICE" DETAIL.
2. MATERIAL REQUIREMENTS
 ALL HARDWARE SHALL BE GALVANIZED. (AASHTO M-232)
 5/8" STEEL PLATE "B" (AASHTO M-270)
 3/8" STEEL PLATE "RUB RAIL SPLICE PLATE" (AASHTO M-270)
 5/8" BUTTON HEAD BOLTS (AASHTO M-180)
 5/8" HEAVY HEX NUTS (5/8" THICK) (AASHTO M-291)
 5/8" FLAT WASHERS (1/8" THICK) (AASHTO M-293)
 C6 X 8.2 RUB RAIL (AASHTO M160 AND M270)
 GRADE 36, GALVANIZED ACCORDING TO AASHTO M111 AFTER PUNCHING AND CUTTING ARE COMPLETE.
- ③ THIS SLOT FOR BOLTING RAIL AND SPLICE PLATE TO GUARDRAIL POST WITH A 5/8" X 3 1/2" BUTTON HEAD BOLT AND HEX HEAD NUT.
- ④ THESE SLOTS FOR BOLTING RAIL TO SPLICE PLATE WITH A 5/8" X 1 1/2" BUTTON HEAD BOLT AND HEX HEAD NUT.

~ MAINTENANCE NOTES ~

1. NOT FOR NEW CONSTRUCTION. ONLY USE FOR REPAIRING OR RESTORING EXISTING HARDWARE.
2. FOR NEW CONSTRUCTION, REFER TO BHS-013 AND BHS-014 FOR THRIE-BEAM CONNECTIONS.
3. USE 3500 PSI CONCRETE FOR REPAIRS TO EXISTING JERSEY SHAPES.

USE WITH CUR. STD. DWG.
 RBC-005 RBC-003

KENTUCKY DEPARTMENT OF HIGHWAYS	
GUARDRAIL CONNECTOR TO BRIDGE END TYPE A COMPONENTS	
STANDARD DRAWING NO. RBC-002-04	
SUBMITTED <i>[Signature]</i> <small>DESIGNED BY</small>	12-01-15 <small>DATE</small>
APPROVED <i>[Signature]</i> <small>STATE HIGHWAY ENGINEER</small>	12-01-15 <small>DATE</small>